

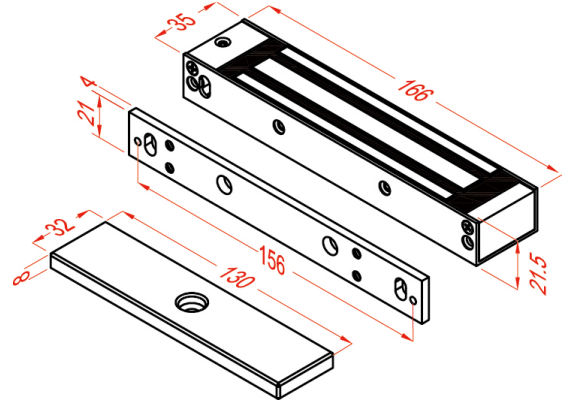
MAGNETIC LOCKS - ML300H SERIES 300P



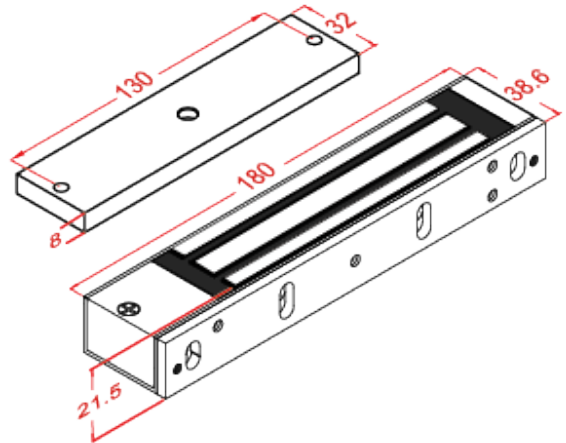
ML300H



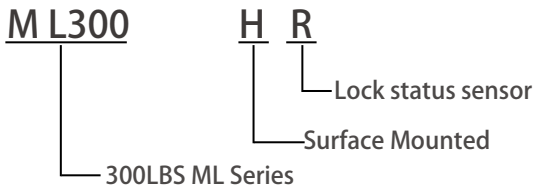
- Magnet(ML300H) : 166L*38.6W*21.5Dmm
- Armature Plate : 130L*21W*8T mm. .



- Magnet(ML300HR) : 180L*38.6W*21.5Dmm



ORDERING INFORMATION



EXAMPLE :

- ML300H : Maglock 300P, surface mounted
- ML300HR : Maglock 300P, surface mounted W/Lock status sensor

SPECIFICATION

- Voltage : 12V/24V (Selectable)
- Current Draw : 360mA/12V , 180mA /24V
- Holding Force : about 300LBS
- Built-in voltage spike suppressor
- Anodized aluminum housing
- Special Finish : Zinc (on the magnet & armature plate)

APPLICATION

- Horizontal or vertical installation
- Suitable for in-swing / out-swing/sliding doors, cabinets, drawers, etc.

BRACKETS INSTALLATION



B1021 - Adjustable L Bracket



B1022 - L&Z Bracket



U-130 Bracket



B0022 - Armature Plate Housing



B1004 / B1005